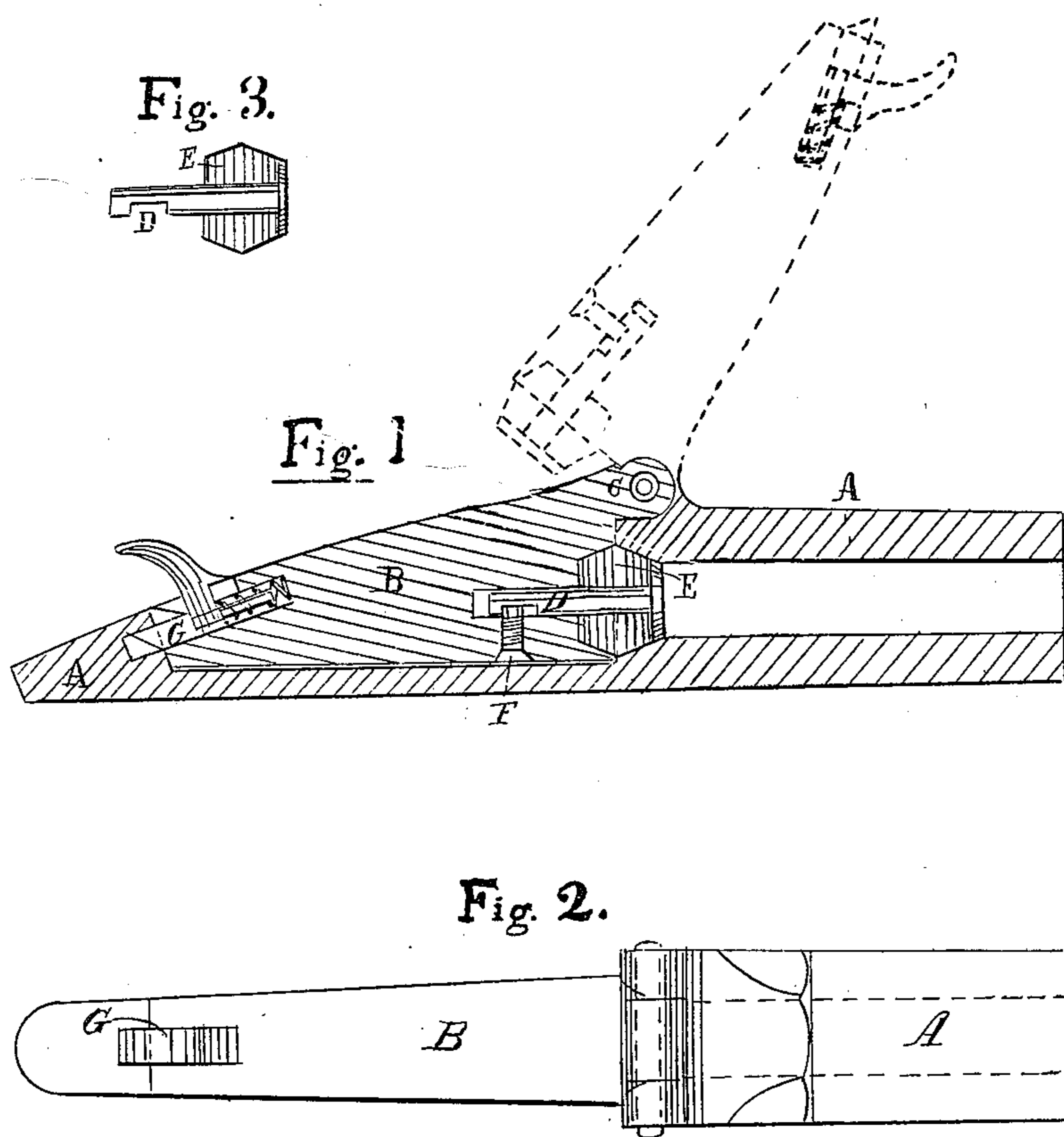


N. S. CLEMENT.
Breech-loading Fire-arm.

No. 14,949.

Patented May 27, 1856.



Wm. H. ...
George Newton
Homor B. Sprague

N. S. Clement

UNITED STATES PATENT OFFICE.

NATHAN S. CLEMENT, OF WORCESTER, MASSACHUSETTS.

IMPROVEMENT IN BREECH-LOADING FIRE-ARMS.

Specification forming part of Letters Patent No. 14,949, dated May 27, 1856.

To all whom it may concern:

Be it known that I, NATHAN S. CLEMENT, of the city and county of Worcester, and State of Massachusetts, have invented a new Improvement in Breech-Loading Fire-Arms; and I do hereby declare that the following is a full and exact description thereof, reference being had to the accompanying drawings, and to the letters of reference marked thereon.

The nature of my invention consists in providing breech-loading fire-arms with india-rubber packing, which will compress and fill perfectly the interior of the barrel when there is an explosion in the same, thereby making it air and gas tight.

To enable others skilled in the art to make and use my invention, I will proceed to describe its construction and operation, it being applicable to nearly all of the many well-known forms of breech-loading fire-arms.

Figure 1 is a sectional elevation of one of said forms with the improvement attached; Fig. 2, a top view of the same; Fig. 3, a sectional view of the improvement.

A represents the breech of the barrel; B, the movable breech which swings on the pin C; D,

the straight pin with head passing through rubber packing E into the movable breech F, a small screw in the same fitting the slot in the pin D, retaining the pin in place, yet allowing it to vibrate; G, a catch to lock the movable breech in place.

Raise the movable breech B, as shown by the red lines, containing all the working parts, and a cartridge may be placed in the barrel. Return it, as shown by the drawings, and ignite the powder by any of the ordinary means and the pressure on the head of the pin D will compress the rubber and cause the breech to be air and gas tight, thereby securing the whole force of the powder against the ball, also preventing the working parts from becoming foul, which causes them to stick.

I claim—

Rubber packing, or that material which is substantially the same, in connection with breech-loading fire-arms, for the purpose specified.

N. S. CLEMENT.

Witnesses:

REJOICE NEWTON,
HOMER B. SPRAGUE.